

Recessed spotlight

4.0108

HIRO™ – A compact spotlight for the highest demands of architectural lighting. With timeless elegance and robust characteristics, this spotlight defies even the most challenging environments without making any aesthetic compromises.



1:1 SCALE

4.0108 | Recessed spotlight

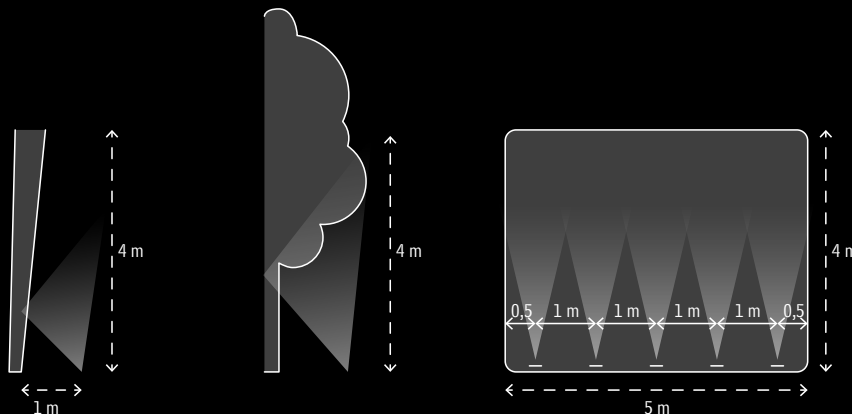
HIRO - Highly robust architectural lighting

Up to 875 lumen light intensity

- Luminaire from the HIRO Inground series
- Protection class IP68 (up to 20 m water depth) - protection against flooding
- Protection class IP69 (up to 80°C) - protection against high pressure and high jet water temperatures
- Impact resistance IK11
- Static load capacity 10kN (1,000 kg)
- CapStop™ system against moisture and water drops inside the luminaire
- Luminaire entirely made of stainless steel 316Ti 1.4571, electropolished
- Round or square attachment cover, height 3 mm
- Tempered safety glass (ESG)
-
- POW-LED cold white, warm white, neutral white, extra warm white (230 V)
- Multichip POW-LED RGB-W or Amber (operating mode: constant current)
- Rotationally symmetric light distribution
- Temperature controlled (onboard)
- Surge protection
- DALI-2 compatible
- LED unit can be swivelled plus 15° (factory-set)
- Luminaire can be rotated 350° in the installation sleeve
- Optimised glare control with light-absorbing matt black interior (optionally matt white)
- Max. surface temperature on the luminaire: 50°C
- Max. permissible ambient temperature: 40°C
-
- (Mono) Integrated power supply unit
- (RGB-W) External controller (to be ordered separately)
- (Mono) Supplied with 1.0 m connected cable (H07RN-F)
- (RGB-W) Supplied with 5.0 m connected UW cable
- Innovative installation sleeve set made of stainless steel 304L (to be ordered separately)

Typical applications

To illuminate façades and walls, the luminaires are installed at a distance of around 1 metre. Objects, such as sculptures and trees, are illuminated in a targeted manner using the swivelling LED unit up to a height of 4 metres.





© Hofgut Liederbach, Liederbach, Germany



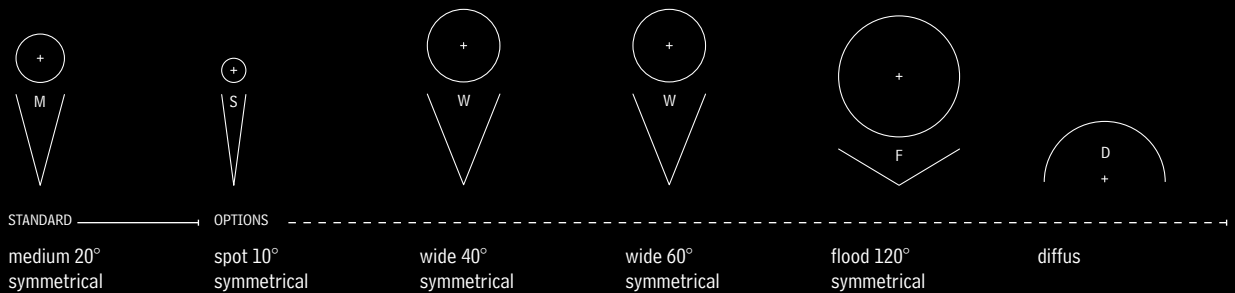
© ATMOSPHERE by Krallerhof, Leogang, Austria

4.0108 | Recessed spotlight

Colour temperatures



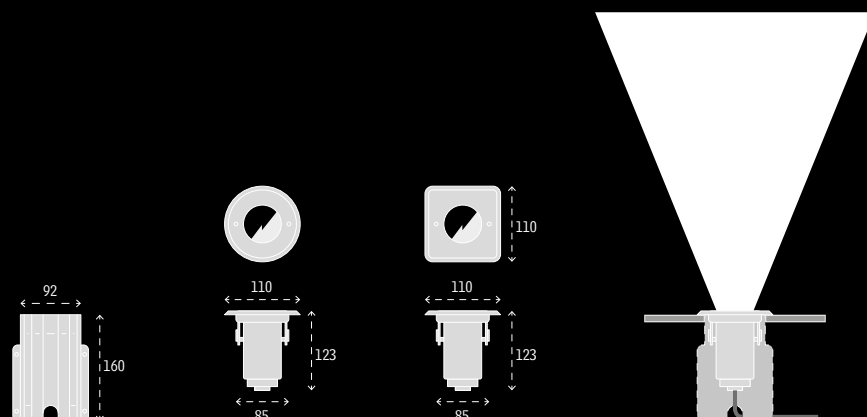
Beam angles



Additional parts

<p>Additional disc, frosted für 4.0108, for softer light distribution (light loss approx. -8%) 9.0108.00.20</p>	<p>anti-glare louvre for 4.0108, internal, black, light-absorbing, prevents lateral glare from the luminaire from any direction 9.0108.00.50</p>	<p>Anti-skid coating Highest anti-slip class R13 50.40108.0003</p>	<p>Interior cover, matt white for 4.0108, as an alternative to the standard black cover 9.0108.00.30</p>	<p>Distribution box Junction box, IP68, plastic, M16/M20, (1 on the back, 7 on the side), incl. casting resin for moulding, for installation in the ground in the installation sleeve, 92 x 92 x 60 mm 85.4.00015.026</p>

Dimensions





IP68 IP69	IK11	1.0t	STAINLESS STEEL V4A 1.4571 316Ti	3.000 K 4.500 K 6.000 K	RGB-W	230 V	CONSTANT CURRENT KONSTANT STROM	DALI 1-10 V OPTIONAL DIMM	CABLE INCL.	ta max 40°C	CAP™ STOP	↑ ↓	CE
--------------	------	------	---	-------------------------------	-------	-------	--	------------------------------------	----------------	----------------	--------------	--------	----

Monochrome illumination

Cover	#	Color	Lumen	Specifications	Control gear	Details
Round Cover	4.0108.20.11	6.000K cold white	875 lm	LED 1 POW-LED WATT total 6 W POWER 230 V BEAM 20° medium CABLE H07RN-F, 3x1,0 qmm	Inclusive (230 V) max	→ www
	4.0108.20.12	3.000K warm white	710 lm			
	4.0108.20.13	4.500K neutral white	760 lm			
	4.0108.20.18	2.700K extra warm white	700 lm			
Square Cover	4.0108.40.11	6.000K cold white	875 lm			
	4.0108.40.12	3.000K warm white	710 lm			
	4.0108.40.13	4.500K neutral white	760 lm			
	4.0108.40.18	2.700K extra warm white	700 lm			

Dynamic illumination

Cover	#	Color	Lumen	Specifications	Control gear	Details
Round Cover	4.0108.20.41	RGB-CW cold white 6.000K	cold white: 135 lm	LED 1 Multichip POW-LED WATT all on 8 W POWER CC 700mA @12 V-DC BEAM 20° medium CABLE UW, 10x0,25 qmm	5.0670.29.52 max 4	→ www
	4.0108.20.42	RGB-WW cold white 3.000K	warm white: 100 lm			
	4.0108.20.43	RGB-NW cold white 4.500K	neutral white: 110 lm			
	4.0108.20.24	Amber	390 lm			
Square Cover	4.0108.40.41	RGB-CW cold white 6.000K	cold white: 135 lm			
	4.0108.40.42	RGB-WW cold white 3.000K	warm white: 100 lm			
	4.0108.40.43	RGB-NW cold white 4.500K	neutral white: 110 lm			
	4.0108.40.24	Amber	390 lm			

Installation housings

4.0108.01.00	9.0108.00.10	95.40108.0001
Installation housing made of stainless steel 304L, for installation of HIRO series luminaires in loose or solid surfaces	Mounting kit optional for installation sleeve 4.0108, consisting of 4 floor retaining clips, For fixing the installation sleeve to the ground	Protective cover optional for installation sleeve 4.0108, Material chipboard water resistant, for closing the installation sleeve during the construction phase

Notes

- The connection of the luminaire must comply with protection class IP68
- When installing the light, any national standards must be observed
- The light source of this luminaire may only be replaced by the manufacturer or a service technician authorised by the manufacturer or a similarly qualified person
- To avoid hazards, a damaged outer flexible cable of this light may only be replaced by the manufacturer, its service agent or a comparable specialist
- The separately available mounting kit is recommended for adjacent compaction of the substrate (e.g. with a vibrating plate)

Recessed spotlight

4.0208

HIRO™ – A powerful spotlight for the highest demands of architectural lighting. With timeless elegance and robust characteristics, this spotlight defies even the most challenging environments without making any aesthetic compromises.





1:1 SCALE

4.0208 | Recessed spotlight

HIRO - Highly robust architectural lighting

Up to 1925 lumen light intensity

- Luminaire from the HIRO Inground series
- Protection class IP68 (up to 20 m water depth) - protection against flooding
- Protection class IP69 (up to 80°C) - protection against high pressure and high jet water temperatures
- Impact resistance IK11
- Static load capacity 20kN (2,000 kg)
- CapStop™ system against moisture and water drops inside the luminaire
- Luminaire entirely made of stainless steel 316Ti 1.4571, electropolished
- Round or square attachment cover, height 3 mm
- Tempered safety glass (ESG)
-
- POW-LED cold white, warm white, neutral white, extra warm white (230 V)
- Multichip POW-LED RGB-W or Amber (operating mode: constant current)
- Rotationally symmetric light distribution
- Temperature controlled (onboard)
- Surge protection
- DALI-2 compatible
- LED unit can be swivelled plus 15° (factory-set)
- Luminaire can be rotated 350° in the installation sleeve
- Optimised glare control with light-absorbing matt black interior (optionally matt white)
- Max. surface temperature on the luminaire: 50°C
- Max. permissible ambient temperature: 40°C
-
- (Mono) Integrated power supply unit
- (RGB-W) External controller (to be ordered separately)
- (Mono) Supplied with 0.5 m connected cable (H07RN-F)
- (RGB-W) Supplied with 5.0 m connected UW cable
- Innovative installation sleeve set made of stainless steel 304L (to be ordered separately)

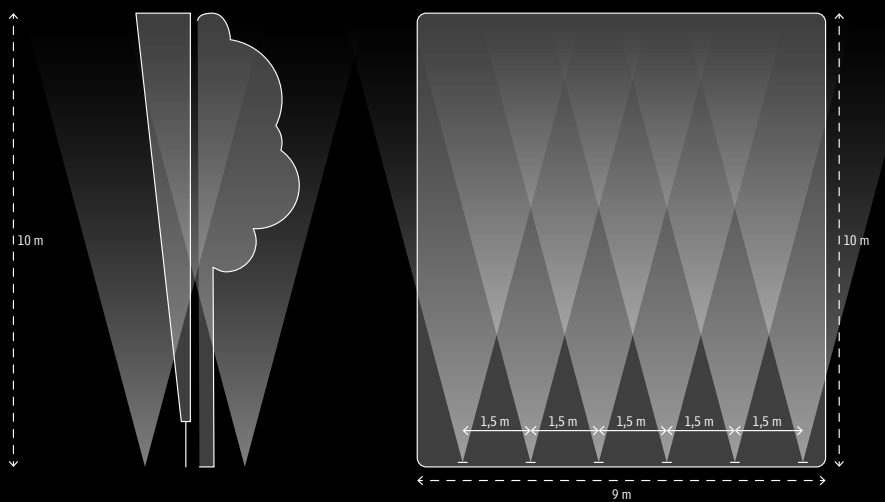




© Stavros Niarchos Foundation Cultural Center, Athen, Greece
Lighting Design: ARUP
Lighting Supplier: Foss SA
Installer: Joint Venture Salini Impregilo-TERNA
Design Architect: Renzo Piano Building Workshop
Photos: The Dark Room Photo Production Ltd

Typical applications

For full-surface illumination of façades and walls, the luminaires are arranged at a distance of around 1.5 metres and 1 metre from the wall. Objects such as monuments and trees are illuminated symmetrically from the ground up to a height of 10-12 metres. The use of additional matt discs or anti-glare grids is recommended for orientation lighting, and an anti-slip disc is recommended in public areas with public traffic.

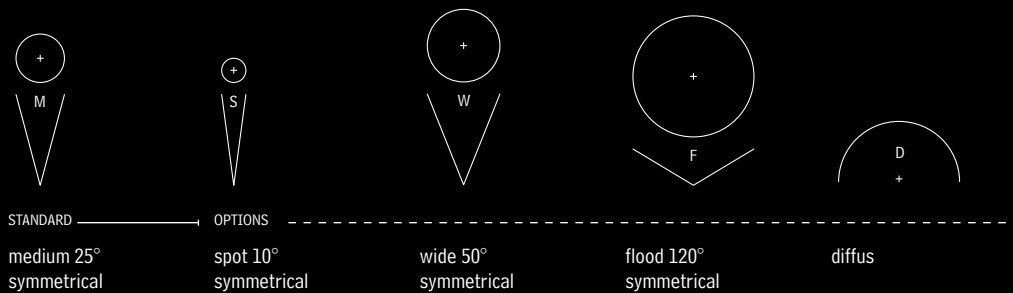


4.0208 | Recessed spotlight

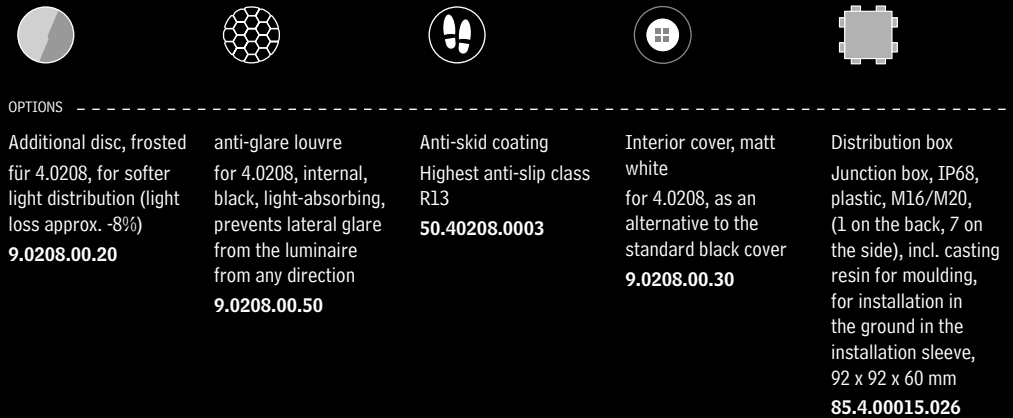
Colour temperatures



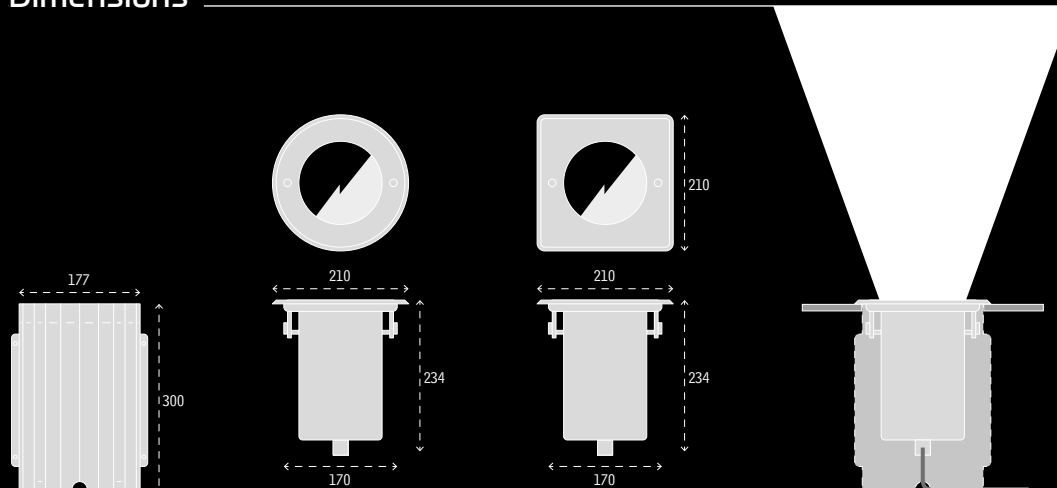
Beam angles



Additional parts



Dimensions





IP68 IP69	IK11	2.0t	STAINLESS STEEL V4A 1.4571 316Ti	3.000 K 4.500 K 6.000 K	RGB-W	230 V	CONSTANT CURRENT KONSTANT STROM	DALI 1-10 V OPTIONAL DIMM	CABLE INCL.	ta max 40°C	CAP™ STOP	↑	↓	CE
--------------	------	------	---	-------------------------------	-------	-------	--	------------------------------------	----------------	----------------	--------------	---	---	----

Monochrome illumination

Cover	#	Color	Lumen	Specifications	Control gear	Details
Round Cover	4.0208.20.11	6.000K cold white	1925 lm	LED 4 POW-LED WATT total 14 W POWER 230 V BEAM 25° medium CABLE H07RN-F, 5x1,0 qmm	Inclusive (230 V) max	→ www
	4.0208.20.12	3.000K warm white	1550 lm			
	4.0208.20.13	4.500K neutral white	1670 lm			
	4.0208.20.18	2.700K extra warm white	1490 lm			
Square Cover	4.0208.40.11	6.000K cold white	1925 lm			
	4.0208.40.12	3.000K warm white	1550 lm			
	4.0208.40.13	4.500K neutral white	1670 lm			
	4.0208.40.18	2.700K extra warm white	1490 lm			

Dynamic illumination

Cover	#	Color	Lumen	Specifications	Control gear	Details
Round Cover	4.0208.20.41	RGB-CW cold white 6.000K	cold white: 500 lm	LED 4 Multichip POW-LED WATT all on 20 W POWER CC 350mA @12 V-DC BEAM 25° medium CABLE UW, 10x0,5 qmm	5.0635.79.52 max 1	→ www
	4.0208.20.42	RGB-WW cold white 3.000K	warm white: 400 lm			
	4.0208.20.43	RGB-NW cold white 4.500K	neutral white: 430 lm			
	4.0208.20.24	Amber	1510 lm			
Square Cover	4.0208.40.41	RGB-CW cold white 6.000K	cold white: 500 lm			
	4.0208.40.42	RGB-WW cold white 3.000K	warm white: 400 lm			
	4.0208.40.43	RGB-NW cold white 4.500K	neutral white: 430 lm			
	4.0208.40.24	Amber	1510 lm			

Installation housings

4.0208.01.00	9.0208.00.10	95.40208.0001
Installation housing made of stainless steel 304L, for installation of HIRO series luminaires in loose or solid surfaces	Mounting kit optional for installation sleeve 4.0208 and 4.0298, consisting of 4 floor retaining clips, For fixing the installation sleeve to the ground	Protective cover optional for installation sleeve 4.0208, Material chipboard water resistant, for closing the installation sleeve during the construction phase

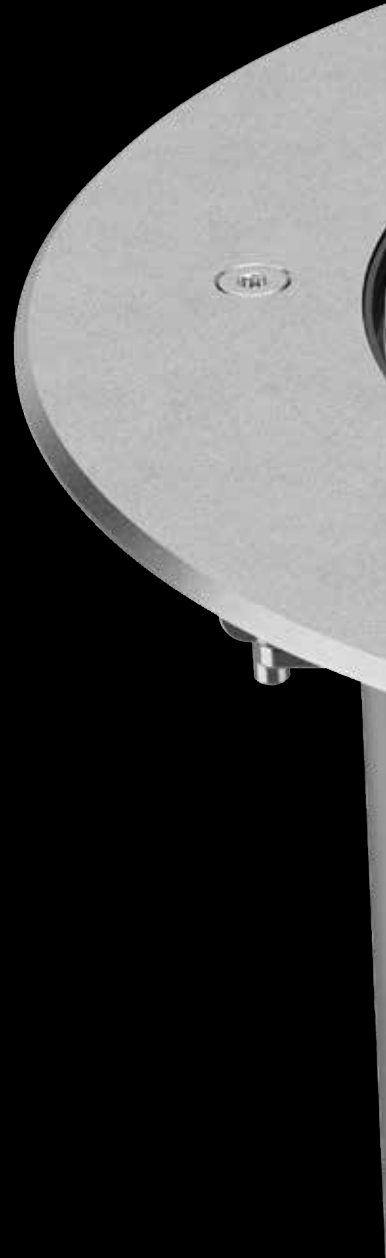
Notes

- The connection of the luminaire must comply with protection class IP68
- When installing the light, any national standards must be observed
- The light source of this luminaire may only be replaced by the manufacturer or a service technician authorised by the manufacturer or a similarly qualified person
- To avoid hazards, a damaged outer flexible cable of this light may only be replaced by the manufacturer, its service agent or a comparable specialist
- The separately available mounting kit is recommended for adjacent compaction of the substrate (e.g. with a vibrating plate)

Recessed spotlight

4.0298

HIRO™ – A high-performance spotlight for the highest demands of architectural lighting. With timeless elegance and robust characteristics, this spotlight defies even the most challenging environments without making any aesthetic compromises.





1:1 SCALE

4.0208 | Recessed spotlight

HIRO - Highly robust architectural lighting

Up to 3750 lumen light intensity

- Luminaire from the HIRO Inground series
- Protection class IP68 (up to 20 m water depth) - protection against flooding
- Protection class IP69 (up to 80°C) - protection against high pressure and high jet water temperatures
- Impact resistance IK11
- Static load capacity 20kN (2,000 kg)
- CapStop™ system against moisture and water drops inside the luminaire
- Luminaire entirely made of stainless steel 316Ti 1.4571, electropolished
- Round or square attachment cover, height 3 mm
- Tempered safety glass (ESG)
-
- POW-LED cold white, warm white, neutral white, extra warm white (230 V)
- Multichip POW-LED RGB-W or Amber (operating mode: constant current)
- Rotationally symmetric light distribution
- Temperature controlled (onboard)
- Surge protection
- DALI-2 compatible
- LED unit can be swivelled plus 15° (factory-set)
- Luminaire can be rotated 350° in the installation sleeve
- Optimised glare control with light-absorbing matt black interior (optionally matt white)
- Max. surface temperature on the luminaire: 50°C
- Max. permissible ambient temperature: 40°C
-
- (Mono) Integrated power supply unit
- (RGB-W) External controller (to be ordered separately)
- (Mono) Supplied with 0.5 m connected cable (H07RN-F)
- (RGB-W) Supplied with 5.0 m connected UW cable
- Innovative installation sleeve set made of stainless steel 304L (to be ordered separately)

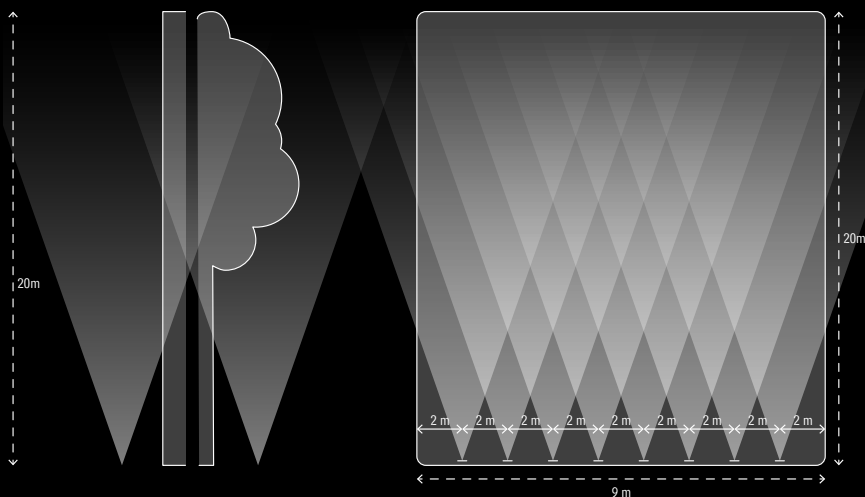


© Stavros Niarchos Foundation Cultural Center, Athen, Greece
Lighting Design: ARUP
Lighting Supplier: Foss SA
Installer: Joint Venture Salini Impregilo-TERNA
Design Architect: Renzo Piano Building Workshop
Photos: The Dark Room Photo Production Ltd



Typical applications

For intensive illumination of large façades, the luminaires are arranged at a distance of around 2 metres and 1.5 metres from the wall. Objects such as monuments and trees are illuminated symmetrically from the ground up to a height of 20 metres. In public areas with public traffic, the use of anti-slip discs is recommended.

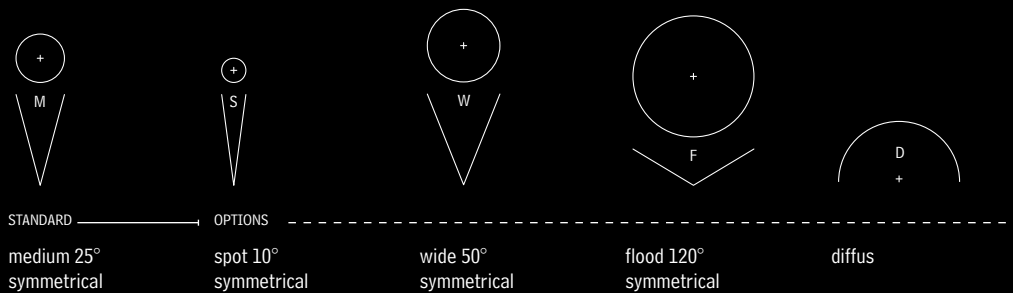


4.0298 | Recessed spotlight

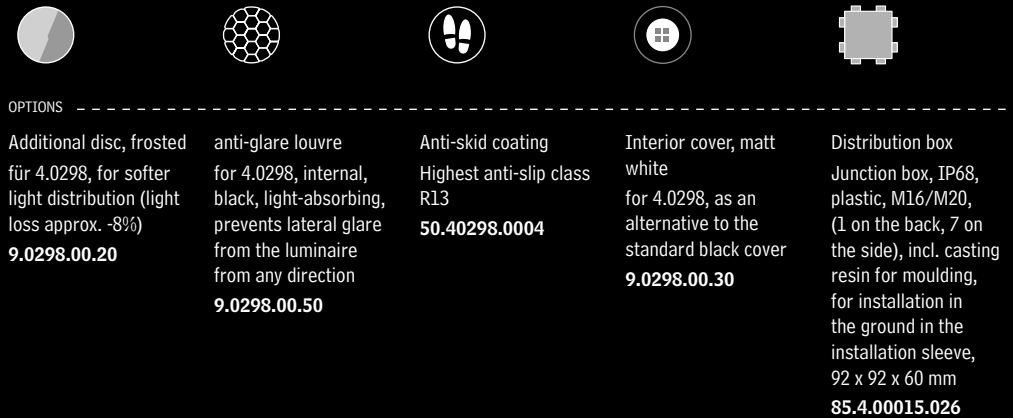
Colour temperatures



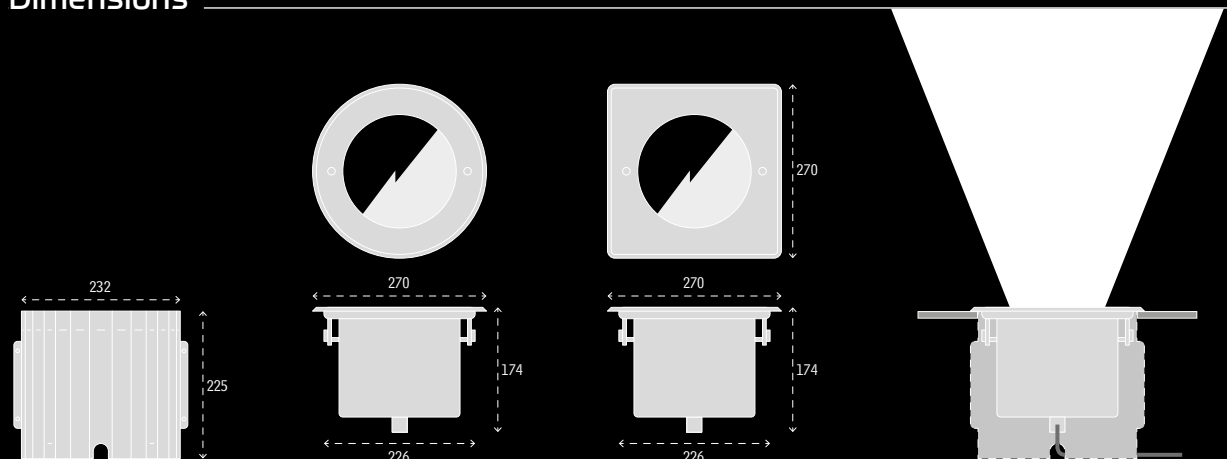
Beam angles



Additional parts



Dimensions





IP68 IP69	IK11	2.0t	STAINLESS STEEL V4A 1.4571 316Ti	3.000 K 4.500 K 6.000 K	RGB-W	230 V	CONSTANT CURRENT KONSTANT STROM	DALI 1-10 V OPTIONAL DIMM	CABLE INCL.	ta max 40°C	CAP™ STOP	↑	↓	CE
--------------	------	------	---	-------------------------------	-------	-------	--	------------------------------------	----------------	----------------	--------------	---	---	----

Monochrome illumination

Cover	#	Color	Lumen	Specifications	Control gear	Details
Round Cover	4.0298.20.11	6.000K cold white	3750 lm	LED 8 POW-LED WATT total 28 W POWER 230 V BEAM 25° medium CABLE H07RN-F, 5x1,0 qmm	Inclusive (230 V) max	→ www
	4.0298.20.12	3.000K warm white	3020 lm			
	4.0298.20.13	4.500K neutral white	3250 lm			
	4.0298.20.18	2.700K extra warm white	2980 lm			
Square Cover	4.0298.40.11	6.000K cold white	3750 lm			
	4.0298.40.12	3.000K warm white	3020 lm			
	4.0298.40.13	4.500K neutral white	3250 lm			
	4.0298.40.18	2.700K extra warm white	2980 lm			

Dynamic illumination

Cover	#	Color	Lumen	Specifications	Control gear	Details
Round Cover	4.0298.20.41	RGB-CW cold white 6.000K	cold white: 1000 lm	LED 8 Multichip POW-LED WATT all on 40 W POWER CC 700mA @12 V-DC BEAM 25° medium CABLE UW, 10x0,5 qmm	5.0670.79.52 max 1	→ www
	4.0298.20.42	RGB-WW cold white 3.000K	warm white: 800 lm			
	4.0298.20.43	RGB-NW cold white 4.500K	neutral white: 860 lm			
	4.0298.20.24	Amber	3020 lm			
Square Cover	4.0298.40.41	RGB-CW cold white 6.000K	cold white: 1000 lm			
	4.0298.40.42	RGB-WW cold white 3.000K	warm white: 800 lm			
	4.0298.40.43	RGB-NW cold white 4.500K	neutral white: 860 lm			
	4.0298.40.24	Amber	3020 lm			

Installation housings

4.0298.01.00	9.0208.00.10	95.40298.0001
Installation housing made of stainless steel 304L, for installation of HIRO series luminaires in loose or solid surfaces	Mounting kit optional for installation sleeve 4.0208 and 4.0298, consisting of 4 floor retaining clips, For fixing the installation sleeve to the ground	Protective cover optional for installation sleeve 4.0298, Material chipboard water resistant, for closing the installation sleeve during the construction phase

Notes

- The connection of the luminaire must comply with protection class IP68
- When installing the light, any national standards must be observed
- The light source of this luminaire may only be replaced by the manufacturer or a service technician authorised by the manufacturer or a similarly qualified person
- To avoid hazards, a damaged outer flexible cable of this light may only be replaced by the manufacturer, its service agent or a comparable specialist
- The separately available mounting kit is recommended for adjacent compaction of the substrate (e.g. with a vibrating plate)